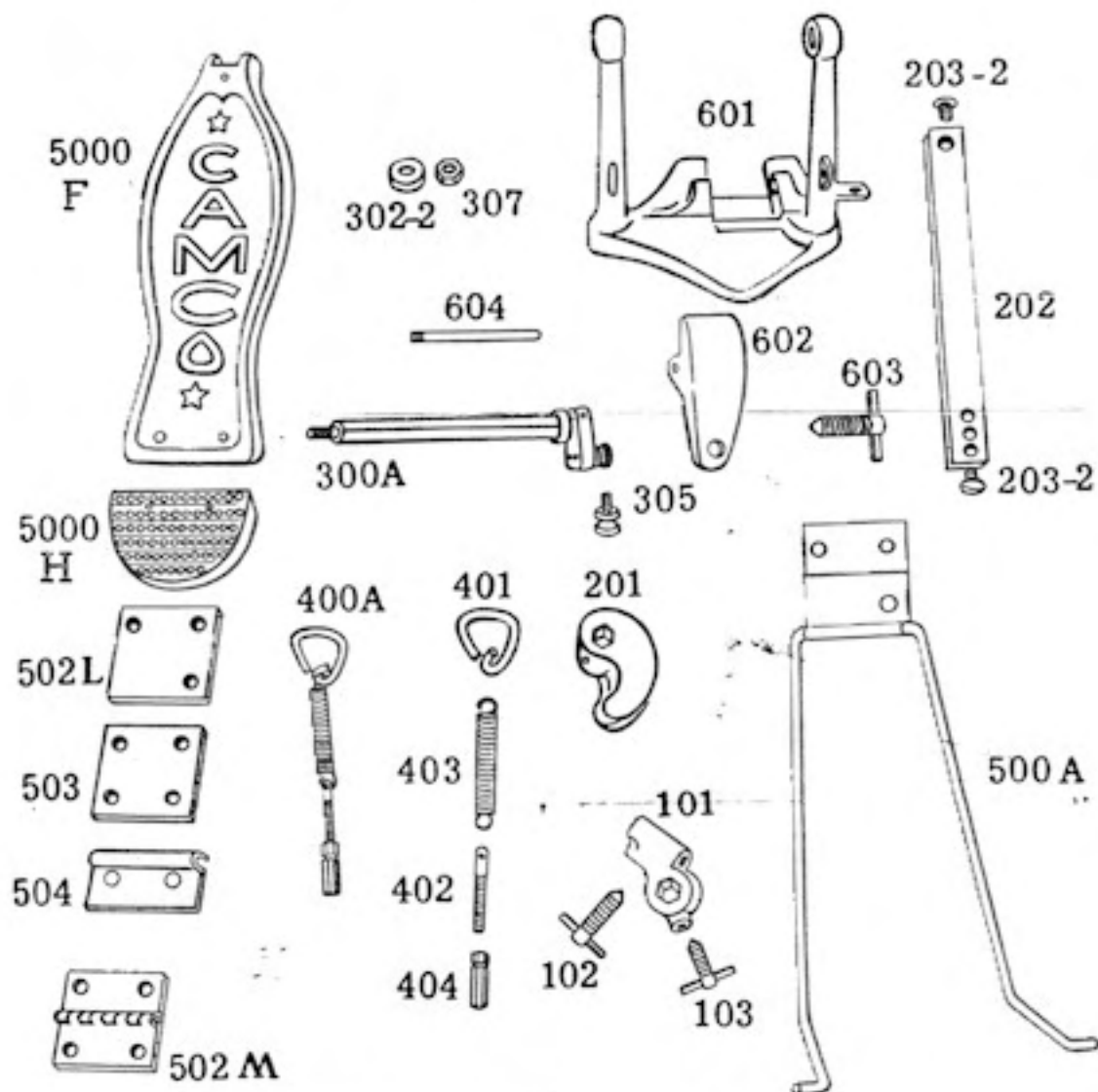


Camco Pedal Parts



Part No.	Description	List Price
5000-F	Footboard only	\$4.00
5000-H	Heel only	1.25
604	Toe Clamp Pin	.06
603	Toe Clamp Locking Screw	.40
602	Toe Clamp Casting	.85
601	Base Casting	6.00
507-2	Heel Screws	.06
506-2	Footboard Screws	.06
505	Rivets (4/4)-2	.03
504	Heel Clip	.15
503	Flat Block	.15
502-L	Leather Hinge	.30
502-M	Metal Hinge	.30
500-A	Radius Rod Assembly	1.75
404	Spring Lock Nut	.15

Part No.	Description	List Price
403	Spring	.22
402	Spring Screw	.15
401	Rocker	.50
400-A	Rocker and Spring Assembly	.82
307	Cam Side Bearing Nut	.05
305	Rocker Hub	.20
302-2	Bearing	.50
300-A	Hex Shaft Assembly	2.75
203-2	Cam Strap Screws	.05
202	Cam Strap	.45
201	Cam Casting	1.25
103	Hex Shaft Set Screw	.35
102	Beaker Shaft Set Screw	.35
101	Beaker Hub Casting	1.25
5000-C	Complete Footboard	7.50

CAMCO CO.