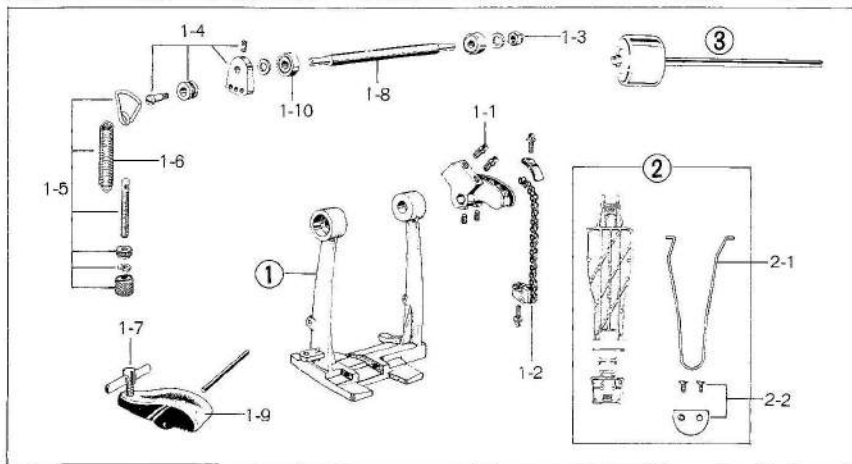


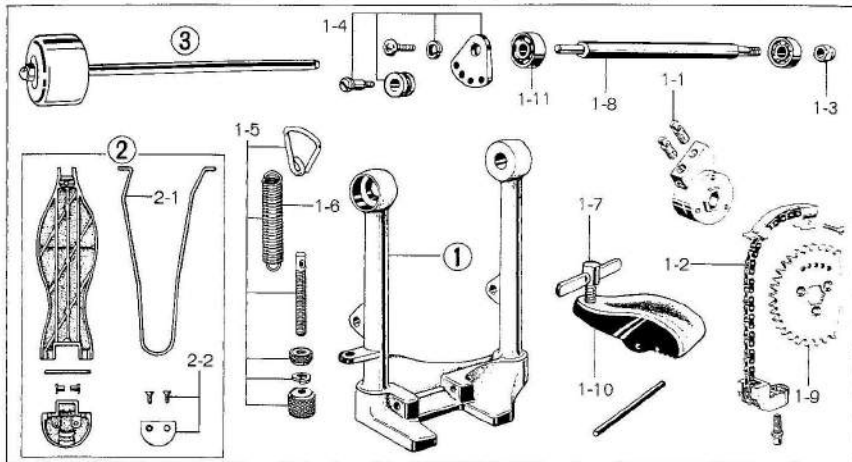
6755 KING-BEAT DRUM PEDAL

- ① 6755-1 Base assembly complete, less footboard & beater
- 1-1 EP6-WN6 Eye bolt assembly
- 1-2 WTN8 Wing nut (8 m/m)
- 1-3 6755-03 Connecting link w/pin
- 1-4 6755-04 Metal cover w/screw
- 1-5 7105SP Screw anchor w/spring
- 1-6 6755-06 Spring assembly complete
- 1-7 6755-07 Rubber plate set
- 1-8 S808 Pull set screw
- 1-9 6755-09 Toe-clamp shaft w/allen screw
- 1-10 6755-10 Shaft only
- 1-11 6755-11 Ball bearing
- ② 6755-2 Footboard assembly complete w/radius rod
- 2-1 6755-20 Radius rod only
- 2-2 7116 Radius rod cover & screws
- ③ 6712 Drum beater, white felt



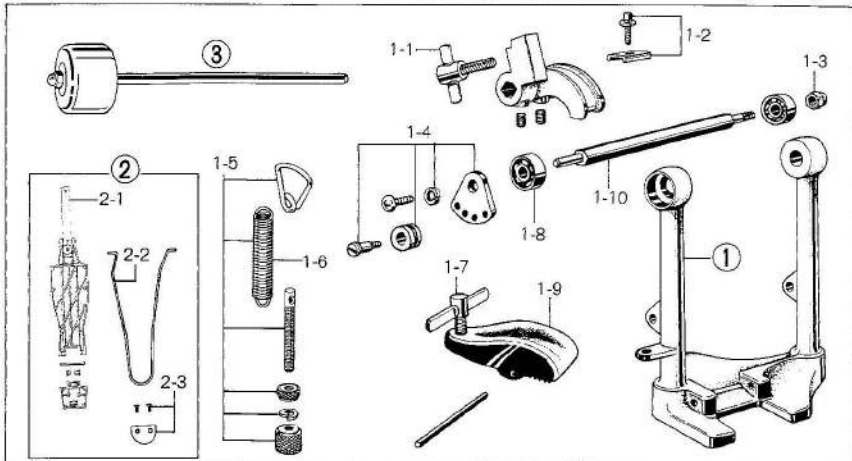
6745 PRO-BEAT DRUM PEDAL

- ① 6745-1 Base assembly complete, less footboard & beater
- 1-1 S810 Pull set screw
- 1-2 6745-02 Connecting chain w/cover & screw
- 1-3 6730-03 Acorn hex nut
- 1-4 6745-04 Rocker arm assembly
- 1-5 6745-06 Spring assembly w/hook & nut
- 1-6 6730-06 Spring only
- 1-7 WS823 Wing screw
- 1-8 6745-08 Shaft only
- 1-9 6730-10 Hoop holder clamp
- 1-10 6745-10 Ball bearing
- ② 6745-2 Footboard assembly complete
- 2-1 6730-22 Radius rod only
- 2-1 7116 Radius rod cover & screws
- ③ 6712 Drum beater, white felt



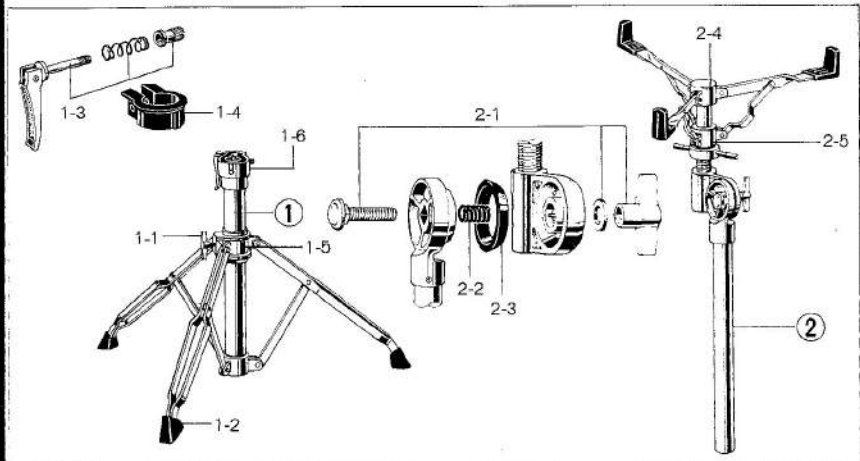
6735 CHAIN-DRIVE DRUM PEDAL

- ① 6735-1 Base assembly complete, less footboard & beater
- 1-1 S810 Pull set screw
- 1-2 6735-01 Connecting chain w/cover & screw
- 1-3 6730-03 Acorn hex nut
- 1-4 6730-04 Rocker arm assembly
- 1-5 6730-05 Spring assembly w/hook & nut
- 1-6 6730-06 Spring only
- 1-7 WS823 Wing screw
- 1-8 6730-08 Shaft only
- 1-9 6735-09 Gear
- 1-10 6730-10 Hoop holder clamp
- 1-11 6730-18 Ball bearing
- ② 6735-2 Footboard assembly complete, less connecting chain
- 2-1 6735-22 Radius rod only
- 2-2 7116 Radius rod cover & screws
- ③ 6713 Drum beater, white felt



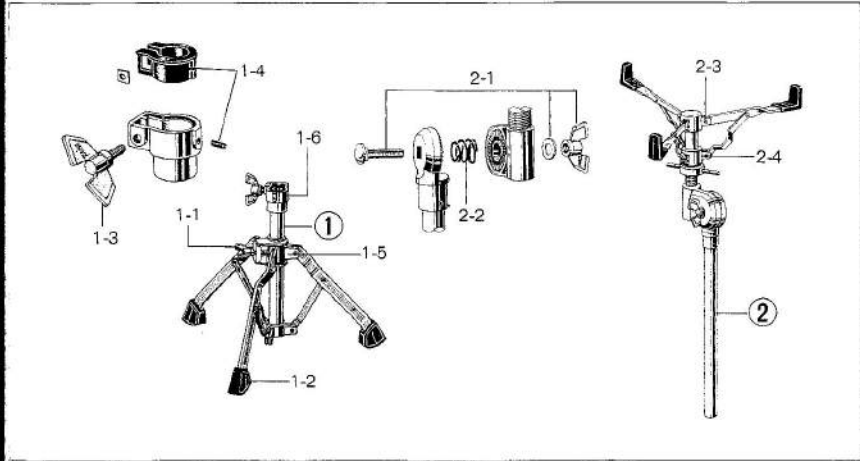
6730 FLEXI-FLYER DRUM PEDAL

- ① 6730-1 Base assembly complete, less footboard & beater
- 1-1 WS823 Wing screw
- 1-2 6730-02 Metal plate w/pull set screw
- 1-3 6730-03 Acorn hex nut
- 1-4 6730-04 Rocker arm assembly
- 1-5 6730-05 Spring assembly w/hook & nut
- 1-6 6730-06 Spring only
- 1-7 WS823 Wing screw
- 1-8 6730-18 Ball bearing
- 1-9 6730-10 Hoop holder clamp
- 1-10 6730-08 Shaft only
- ② 6730-2 Footboard assembly complete w/radius rod & cover
- 2-1 6730-21 Connecting strap w/screw
- 2-2 6730-22 Radius rod only
- 2-3 7116 Radius rod cover & screws
- ③ 6713 Drum beater, white felt



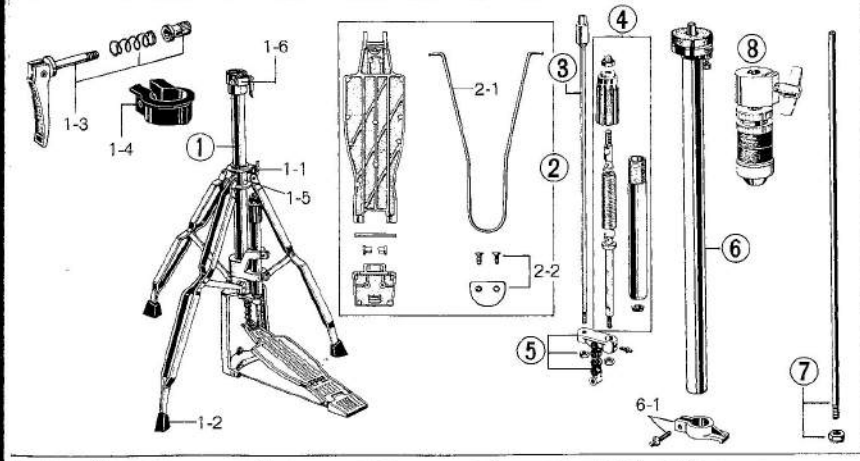
6890T TITAN SNARE STAND

- ① 6890-1 Bass assembly complete
 - 1-1 TS820 Thumb screw
 - 1-2 6890RT Rubber tip
 - 1-3 RL286 Lock lever set
 - 1-4 NB286 Plastic bushing (28.6 m/m)
 - 1-5 DH288 Die-cast housing
 - 1-6 KB286 Die-cast pipe joint
- ② 6890-2 Upper tube w/basket
 - 2-1 B840-WN8 Bolt & nut assembly
 - 2-2 7131 Spring only
 - 2-3 7133 Rubber ring
 - 2-4 DH222 Die-cast housing
 - 2-5 DH224 Die-cast housing



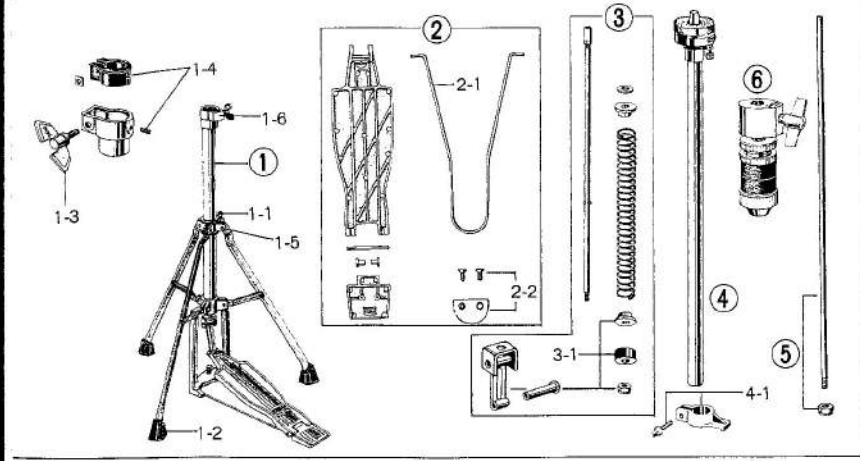
6880 STAGE MASTER SNARE STAND

- ① 6880-1 Base assembly complete
 - 1-1 TTS820 Thumb screw
 - 1-2 6880RT Tip
 - 1-3 TTS820 Thumb screw
 - 1-4 PB222 Plastic bushing w/pin (22.2 m/m)
 - 1-5 DH224 Die-cast housing
 - 1-6 ZB222 Die-cast joint
- ② 6880-2 Upper tube w/basket
 - 2-1 B840-WTN8 Bolt & nut assembly
 - 2-2 7131 Spring only
 - 2-3 DH222 Die-cast housing
 - 2-4 DH224 Die-cast housing



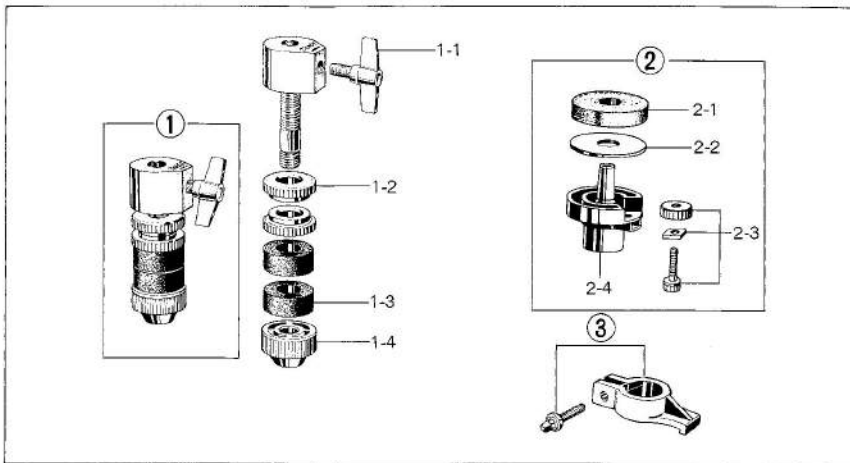
6895T TITAN HI-HAT STAND

- ① 6895-1 A Base assembly complete
 - 1-1 TS820 Thumb screw
 - 1-2 6890RT Rubber tip
 - 1-3 RL286 Lock lever set
 - 1-4 NB286 Plastic bushing (28.6 m/m)
 - 1-5 DH288 Die-cast housing
 - 1-6 KB286 Die-cast joint
- ② 6895-2 Footboard assembly
 - 2-1 6895-21 Radius rod only
 - 2-2 7116 Radius rod cover & screws
- ③ 6895-3 Lower pull rod
- ④ 6895-4A Spring assembly
- ⑤ 6895-5A Hi-hat chain strap assembly
- ⑥ 6895-6 Upper tube assembly
 - 6-1 7148 Key-lock w/screw (25.4 m/m)
- ⑦ 7135 Upper pull rod w/hex nut
- ⑧ 6808 Hi-hat clutch



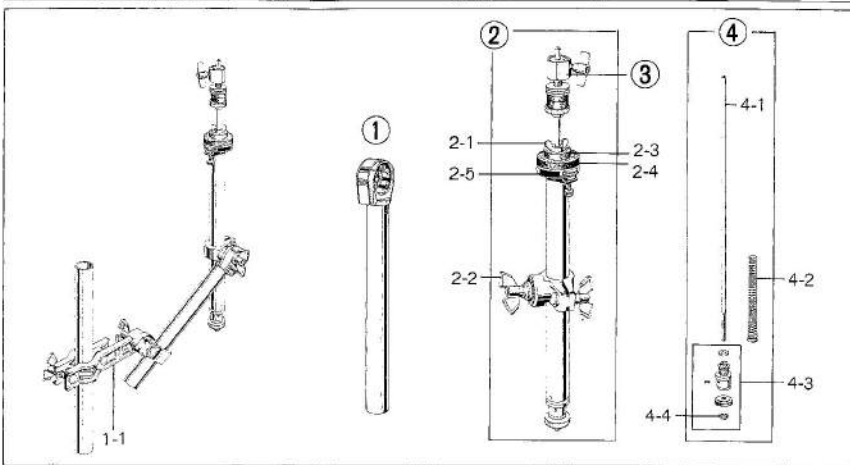
6885 STAGE MASTER HI-HAT STAND

- ① 6885-1 Bass assembly complete
 - 1-1 TTS820 Thumb screw
 - 1-2 6880RT Tip
 - 1-3 TTS820 Thumb screw
 - 1-4 PB254 Plastic bushing w/pin (25.4 m/m)
 - 1-5 DH256 Die-cast housing
 - 1-6 ZB254 Die-cast joint
- ② 6885-2 Footboard assembly
 - 2-1 6885-21 Radius rod only
 - 2-2 7116 Radius rod cover & screws
- ③ 6885-3 Lower pull rod & spring assembly
 - 3-1 6885-31 Hi-hat strap assembly
- ④ 6885-4 Upper tube assembly
 - 4-1 7147 Key lock w/screw (22.2 m/m)
- ⑤ 7135 Upper pull rod w/hex nut
- ⑥ 6808 Hi-hat clutch



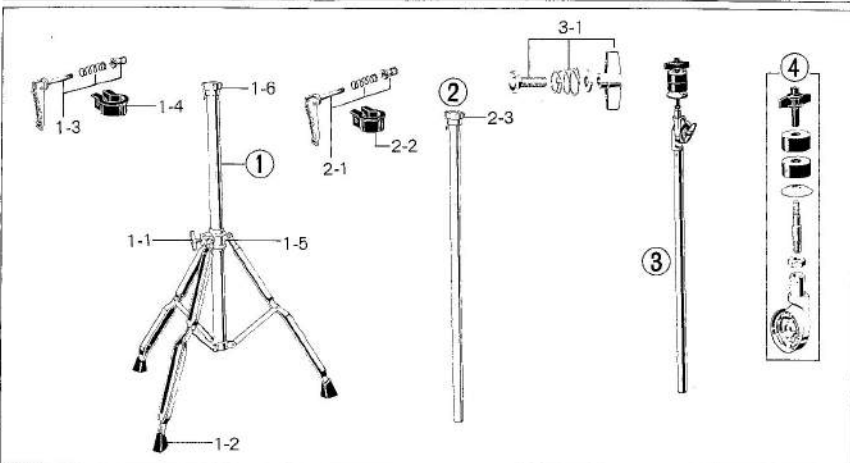
HI-HAT STAND PARTS

- ① 6808 Hi-hat clutch complete
- 1-1 TS615 Wing screw
- 1-2 6808-12 Lock nut
- 1-3 6808-13 Felt washer
- 1-4 6808-14 Non-loose metal nut
- ② 6815 Hi-hat bottom seat assembly
- 2-1 6815-21 Felt washer
- 2-2 6815-22 Metal washer
- 2-3 6815-23 Bolt & nut assembly
- 2-4 6815-24 Plastic seat
- ③ 7146 Key lock w/screw (19.1 m/m)
- 7147 Key lock w/ screw (22.2 m/m)
- 7148 // (25.4 m/m)



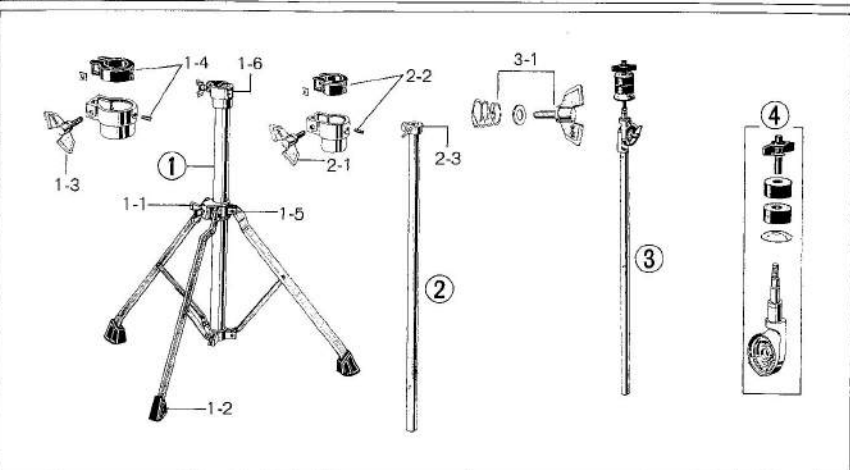
895 X-HAT

- ① 895-1 Lower tube
- 1-1 895-1A Clamp
- ② 895-2 Upper tube complete
- 2-1 TN6 Wing nut
- 2-2 WTN8 Wing nut
- 2-3 6515-20 Small felt washer
- 2-4 6815-21 Large felt washer
- 2-5 6815-24 Plastic seat
- ③ 6808 Hi-hat clutch
- ④ 895-4 Pull rod & spring assembly
- 4-1 895-41 Pull rod only
- 4-2 895-42 Spring only
- 4-3 895-43 Spring adjuster set
- 4-4 895-44 Hex nut



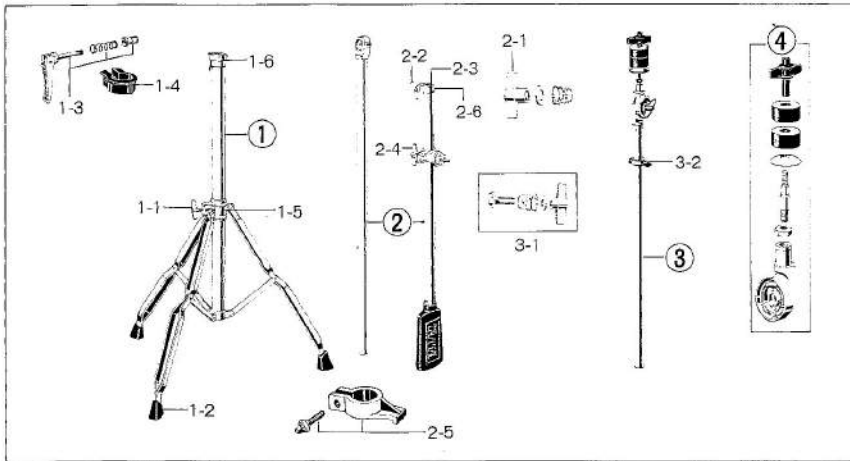
6892T TITAN CYMBAL STAND

- ① 6892-1 Base assembly complete
- 1-1 TS820 Thumb screw
- 1-2 6890RT Rubber tip
- 1-3 RL286 Lock lever set
- 1-4 NB286 Plastic bushing (28.6 m/m)
- 1-5 DH288 Die-cast housing
- 1-6 KB286 Die-cast joint
- ② 6892-2A Center tube
- 2-1 RL286 Lock lever set
- 2-2 NB254 Plastic bushing (25.4 m/m)
- 2-3 KB254 Die-cast joint
- ③ 6892-3A Upper tube w/tilter
- 3-1 B825-WN8 Bolt & nut assembly
- ④ 7144 Cymbal tilter assembly



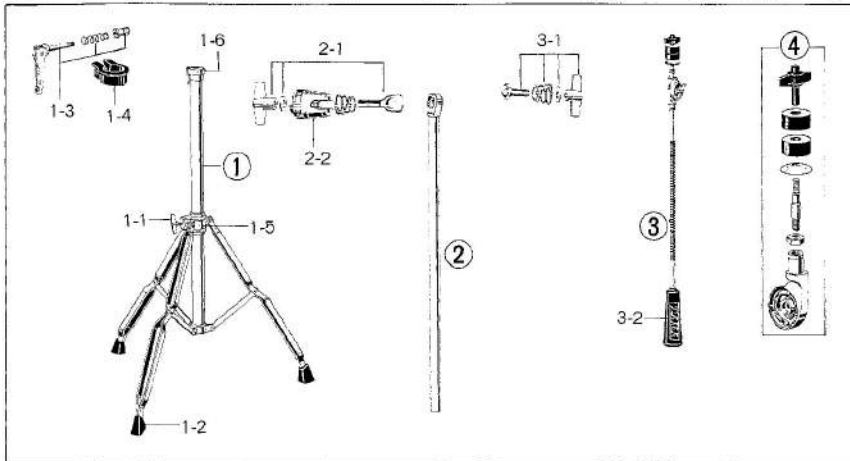
6882 STAGE MASTER CYMBAL STAND

- ① 6882-1 Base assembly complete
- 1-1 TTS820 Thumb screw
- 1-2 6880RT Tip
- 1-3 TTS820 Thumb screw
- 1-4 PB254 Plastic bushing w/pin (25.4 m/m)
- 1-5 DH256 Die-cast housing
- 1-6 ZB254 Die-cast joint
- ② 6882-2 Center tube
- 2-1 TTS820 Thumb screw
- 2-2 PB222 Plastic bushing w/pin (22.2 m/m)
- 2-3 ZB222 Die-cast joint
- ③ 6882-3 Upper tube
- 3-1 6882-01 Bolt & spring set
- ④ 7143 Cymbal tilter



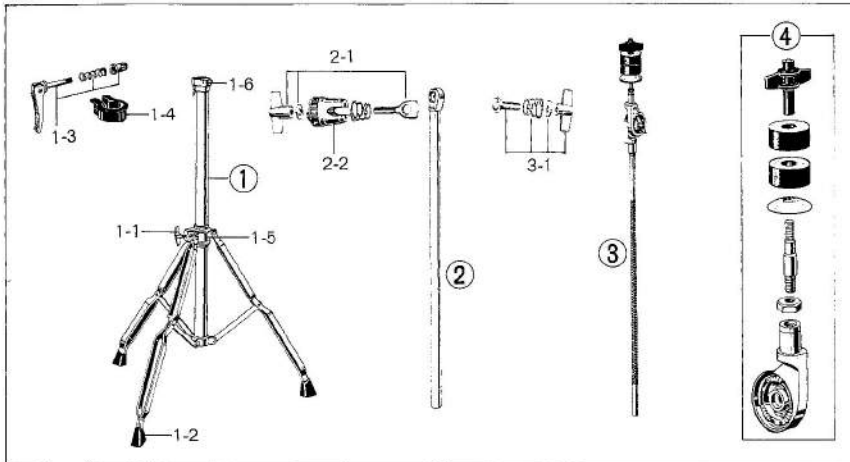
6904T TITAN CYMBAL STAND

- ① 6892-1 Base assembly complete
 - 1-1 TS820 Thumb screw
 - 1-2 6890RT Rubber tip
 - 1-3 RL286 Lock lever set
 - 1-4 NB286 Nylon bush
 - 1-5 DH288 Die-cast housing
 - 1-6 KB286 Die-cast joint
- ② 6904-2A Center tube w/tilter tube
 - 2-1 WN8 Wing nut only
 - 2-2 TS820 Thumb screw
 - 2-3 PB254 Plastic bushing w/pin (25.4 m/m)
 - 2-4 B835-WN8 Bolt & nut assembly
 - 2-5 7148 Key-lock w/screw (25.4 m/m)
 - 2-6 ZB254 Die-cast joint
- ③ 6904-3A Upper tube w/tilter
 - 3-1 B825-WN8 Bolt & nut assembly
 - 3-2 7147 Key-lock w/screw (22.2 m/m)
- ④ 7144 Cymbal tilter assembly



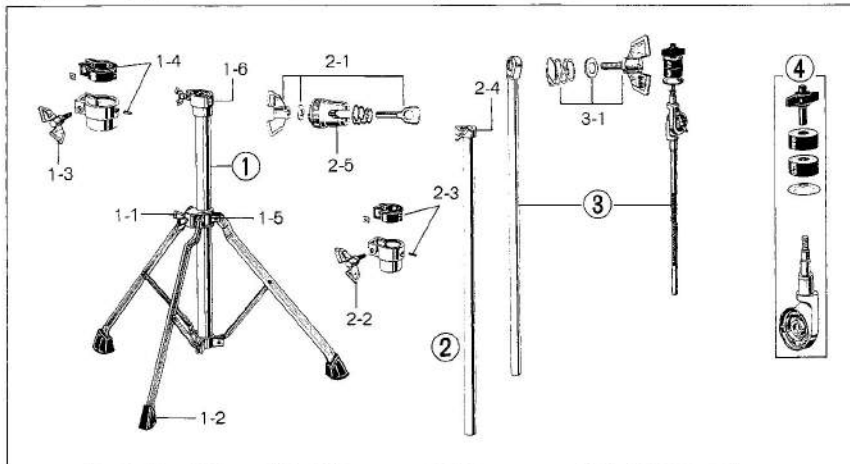
6894T TITAN CYMBAL STAND

- ① 6892-1 Base assembly complete
 - 1-1 TS820 Thumb screw
 - 1-2 6890RT Rubber tip
 - 1-3 RL286 Lock lever set
 - 1-4 NB286 Plastic bushing w/pin (28.6 m/m)
 - 1-5 DH288 Die-cast housing
 - 1-6 KB286 Die-cast joint
- ② 6894-2A Center tube w/eye bolt assembly
 - 2-1 ES8-WN8 Eye bolt assembly
 - 2-2 EHZN Boom tilter
- ③ 6894-3 Upper rod, tilter & counter weight
 - 3-1 B825-WN8 Bolt & nut assembly
 - 3-2 7145 Counter weight
- ④ 7144 Cymbal tilter assembly



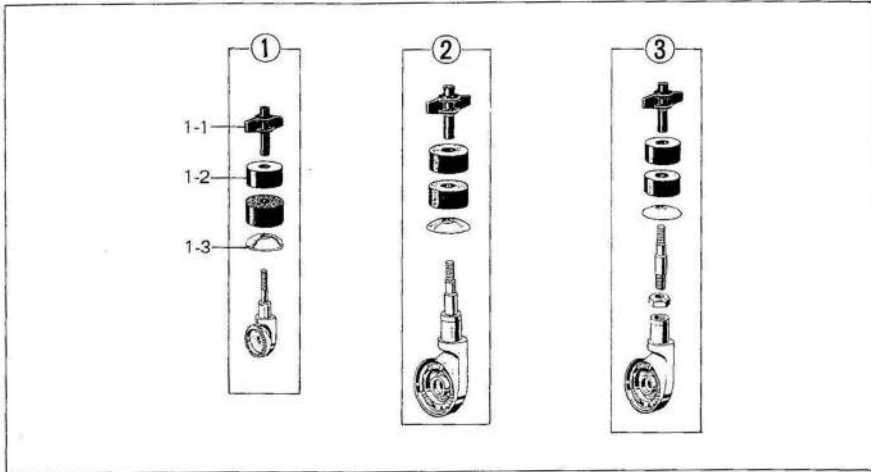
6893T TITAN CYMBAL STAND

- ① 6892-1 Base assembly complete
 - 1-1 TS820 Thumb screw
 - 1-2 6890RT Rubber tip
 - 1-3 RL286 Lock lever set
 - 1-4 NB286 Plastic bushing (28.6 m/m)
 - 1-5 DH288 Die-cast housing
 - 1-6 KB286 Die-cast joint
- ② 6894-2A Center tube w/eye bolt assembly
 - 2-1 ES8-WN8 Eye bolt
 - 2-2 EHZN Boom tilter
- ③ 6874-3 Upper rod w/tilter
 - 3-1 B825-WN8 Bolt & nut assembly
- ④ 7144 Cymbal tilter assembly



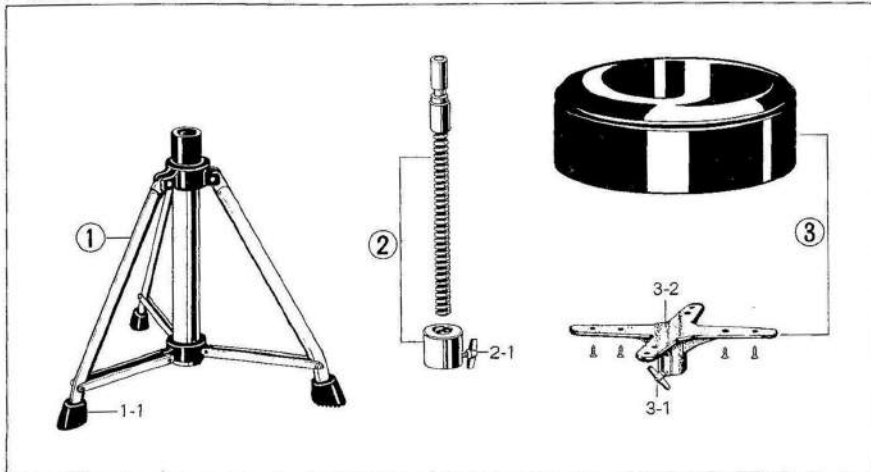
6884 STAGE MASTER CYMBAL STAND

- ① 6882-1 Base assembly complete
 - 1-1 TTS820 Thumb screw
 - 1-2 6880RT Tip
 - 1-3 TTS820 Thumb screw
 - 1-4 PB254 Plastic bushing w/pin (25.4 m/m)
 - 1-5 DH256 Die-cast housing
 - 1-6 ZB254 Die-cast joint
- ② 6882-2 Center tube
 - 2-1 ES8-WTN8 Eye bolt
 - 2-2 TTS820 Thumb screw
 - 2-3 PB222 Plastic bushing/w/pin (22.2 m/m)
 - 2-4 ZB222 Die-cast joint
 - 2-5 EHZN Boom tilter
- ③ 6884-3 Upper tube w/tilter
 - 3-1 6882-01 Thumb screw & spring
- ④ 7143 Cymbal tilter complete



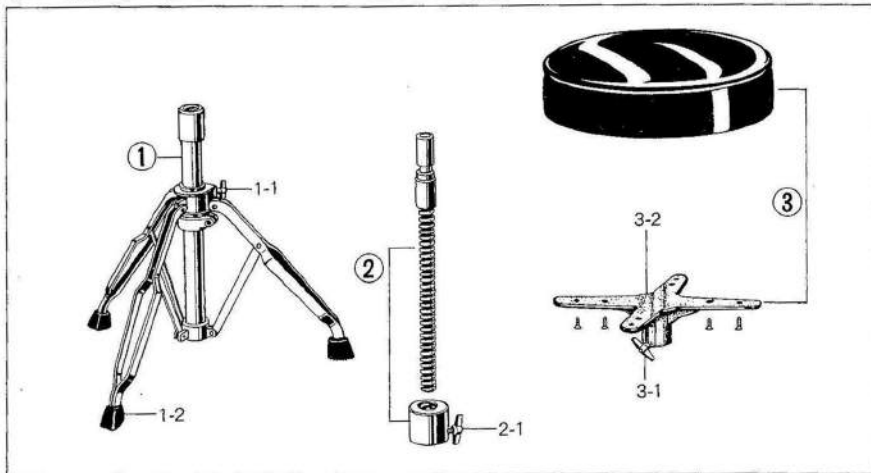
CYMBAL TILTER

- ① 7132 Cymbal tilter complete for 62MC
 - 1-1 7082 Cymbal mate
 - 1-2 7081 Felt
 - 1-3 7091 Metal round washer
- ② 7143 Cymbal tilter complete for Stage Master Series
- ③ 7144 Cymbal tilter complete for Titan Series



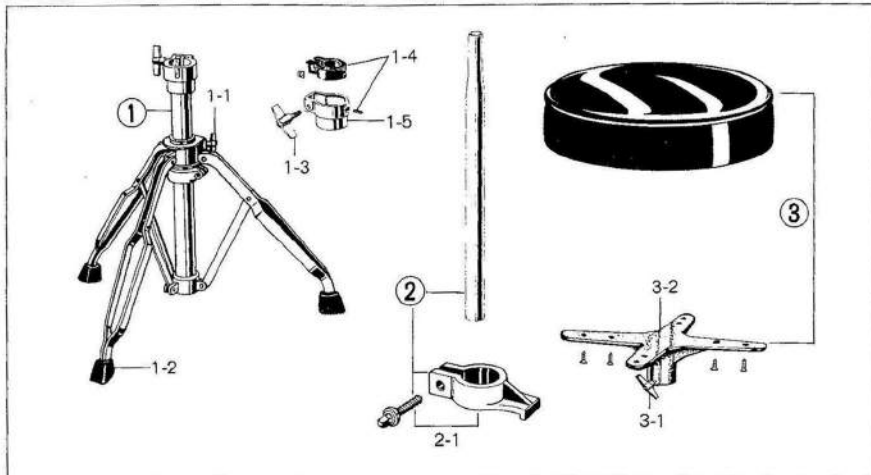
6795 SPARTAN DRUM THRONE

- ① 6795-1 Base assembly complete
 - 1-1 6795-RT Rubber tip
- ② 6790-2 Upper threaded rod w/round nut
 - 2-1 TS820 Thumb screw
- ③ 6795-3 Seat & casting assembly
 - 3-1 TS820 Thumb screw
 - 3-2 6790-32 Casting



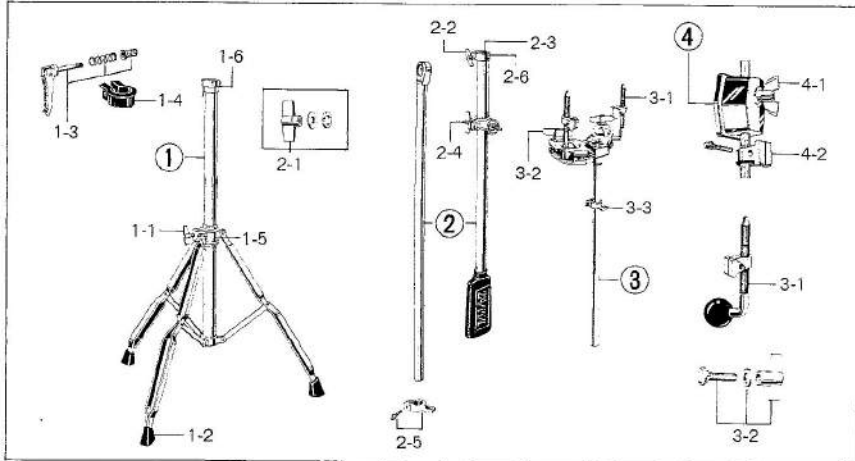
6790 TITAN DRUM THRONE

- ① 6790-1 Base assembly complete
 - 1-1 TS820 Thumb screw
 - 1-2 6790-RT Rubber tip
- ② 6790-2 Upper thread rod w/round nut
 - 2-1 TS820 Thumb screw
- ③ 6790-3 Seat & casting assembly
 - 3-1 TS820 Thumb screw
 - 3-2 6790-32 Casting



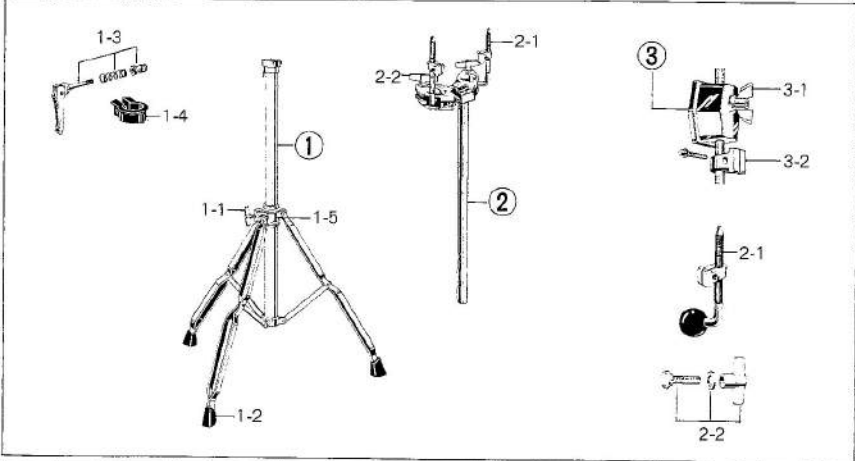
6785 MERCURY DRUM THRONE

- ① 6785-1 Base assembly complete
 - 1-1 TS820 Thumb screw
 - 1-2 6790-RT Rubber tip
 - 1-3 TS820 Thumb screw
 - 1-4 PB286 Plastic bushing w/pin (28.6 m/m)
 - 1-5 ZB286 Die-cast joint
- ② 6785-2 Upper tube w/key-lock
 - 2-1 7148 Key-lock w/screw (25.4 m/m)
- ③ 6785-3 Seat & casting assembly
 - 3-1 TS820 Thumb screw
 - 3-2 6790-32 Casting



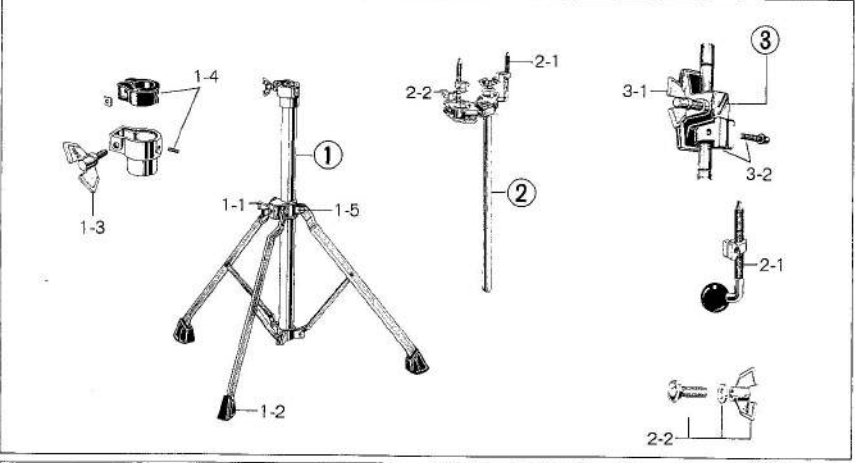
6909T TITAN DOUBLE TOM STAND

- ① 6892-1 Base assembly complete
 - 1-1 TS820 Thumb screw
 - 1-2 6890RT Rubber tip
 - 1-3 RL286 Lock lever set
 - 1-4 NB286 Plastic bushing (28.6 m/m)
 - 1-5 DH288 Die-cast housing
 - 1-6 KB286 Die-cast joint
- ② 6904-2A Center tube w/tilting tube
 - 2-1 WN8 Wing nut only
 - 2-2 TS820 Thumb screw
 - 2-3 PB254 Plastic bushing w/pin (25.4 m/m)
 - 2-4 B835-WN8 Bolt & nut assembly
 - 2-5 7148 Key lock w/screw (25.4 m/m)
 - 2-6 ZB254 Die-cast joint
- ③ 6909-3A Upper tube w/Omni-sphere holder
 - 3-1 6265 Omni-sphere rod w/6696 clamp
 - 3-2 B845-WN8 Bolt & nut assembly
 - 3-3 7147 Key-lock w/screw (22.2 m/m)
- ④ 6686 Tom tom mounting bracket only
 - 4-1 EB8-WTN8 Eye bolt assembly
 - 4-2 6696 Key-lock clamp (10.5 m/m)



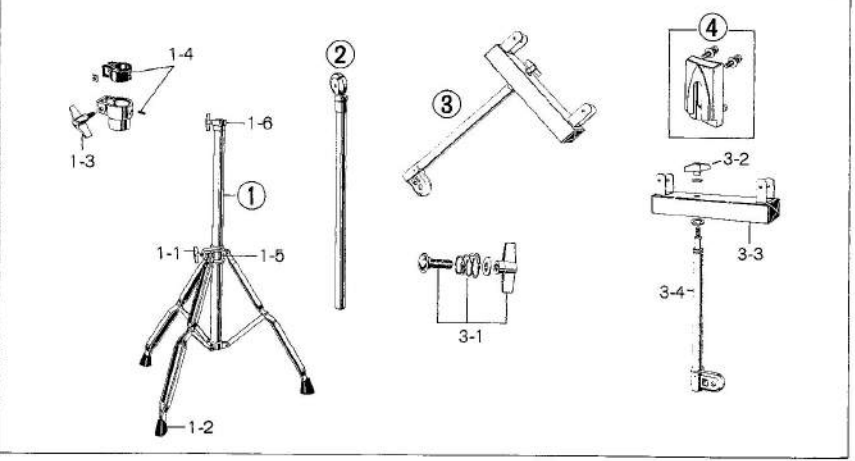
6899T TITAN DOUBLE TOM STAND

- ① 6892-1 Base assembly complete
 - 1-1 TS820 Thumb screw
 - 1-2 6890RT Rubber tip
 - 1-3 RL286 Lock lever set
 - 1-4 NB286 Plastic bushing (28.6 m/m)
 - 1-5 DH-288 Die-cast joint
- ② 6899-2A Upper tube w/Omni-sphere holder
 - 2-1 6265 Omni-sphere rod w/6696 clamp
 - 2-2 B845-WN8 Bolt & nut assembly
- ③ 6686 Tom tom mounting bracket only
 - 3-1 EB8-WTN8 Eye bolt assembly
 - 3-2 6696 Key lock clamp



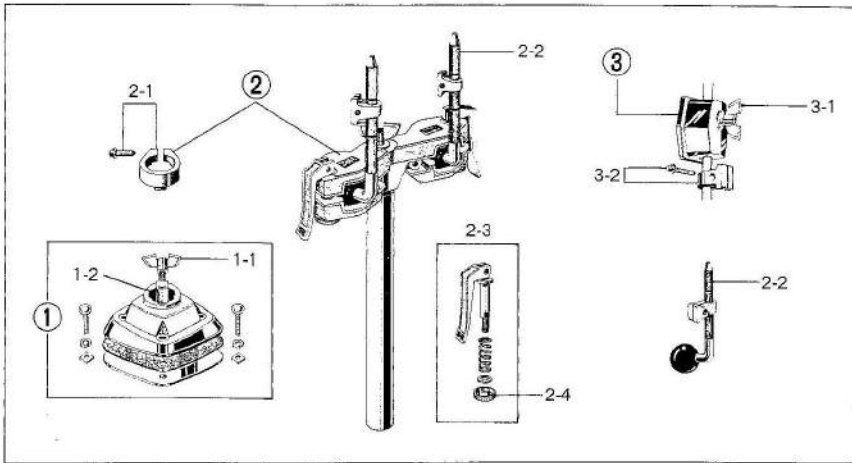
6889 STAGE MASTER DOUBLE TOM STAND

- ① 6882-1 Base assembly complete
 - 1-1 TTS820 Thumb screw
 - 1-2 6880RT Tip
 - 1-3 TTS820 Thumb screw
 - 1-4 PB254 Plastic bushing w/pin (25.4 m/m)
 - 1-5 DH256 Die-cast joint
- ② 6889-2 Upper tube w/Omni-sphere holder
 - 2-1 6264 Omni-sphere rod w/6695 clamp
 - 2-2 B845-WTN8 Bolt & nut assembly
- ③ 6666 Tom tom mounting bracket only
 - 3-1 TTS820 Thumb screw
 - 3-2 6695 Key lock clamp



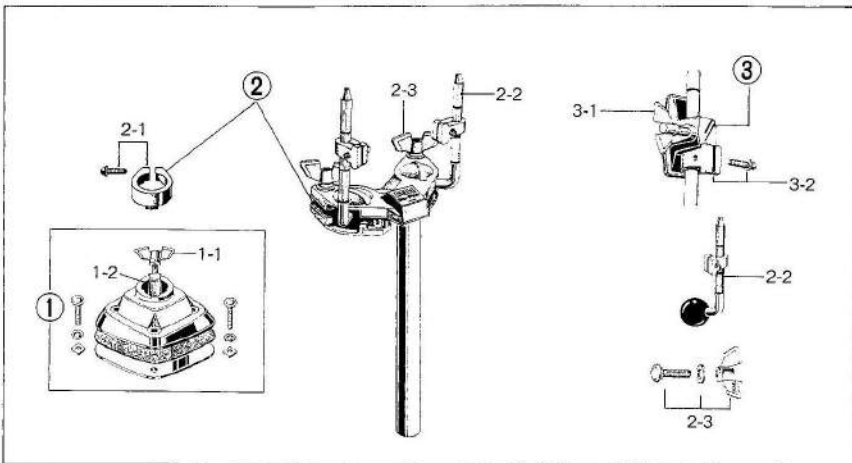
6858 OCTOBAN STAND

- ① 6858-1 Base assembly complete
 - 1-1 TS820 Thumb screw
 - 1-2 6890RT Rubber tip
 - 1-3 TS820 Thumb screw
 - 1-4 PB286 Plastic bushing w/pin (28.6 m/m)
 - 1-5 DH288 Die-cast housing
 - 1-6 ZB286 Die-cast joint
- ② 6858-2 Center tube
- ③ 6858-3 Upper tube & square pipe
 - 3-1 B825-WN8 Bolt & nut assembly
 - 3-2 WN8 Wing nut
 - 3-3 6858-33 Square pipe w/clamp
 - 3-4 6858-34 Upper tube only
- ④ 6676 Bracket w/screws



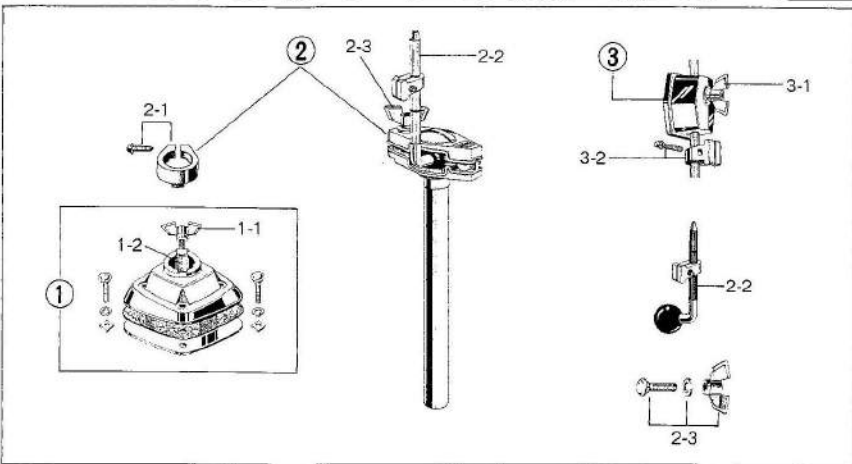
6693C OMNIOLOCK TOM HOLDER

- ① 6684 Bass drum mount casting assembly
 - 1-1 TTS820 Thumb screw
 - 1-2 7079A Metal non-scratch plate
- ② 6693A Omniloclock tom holder w/ key lock
 - 2-1 6698 Key lock clamp w/screw (28.6 m/m)
 - 2-2 6265 Omni-sphere rod w/6696 clamp
 - 2-3 RL305 Lock lever set
 - 2-4 W248 Round nut
- ③ 6686 Tom tom mounting bracket only
 - 3-1 EB8-WTN8 Eye bolt assembly
 - 3-2 6696 Key lock w/screw (10.5 m/m)



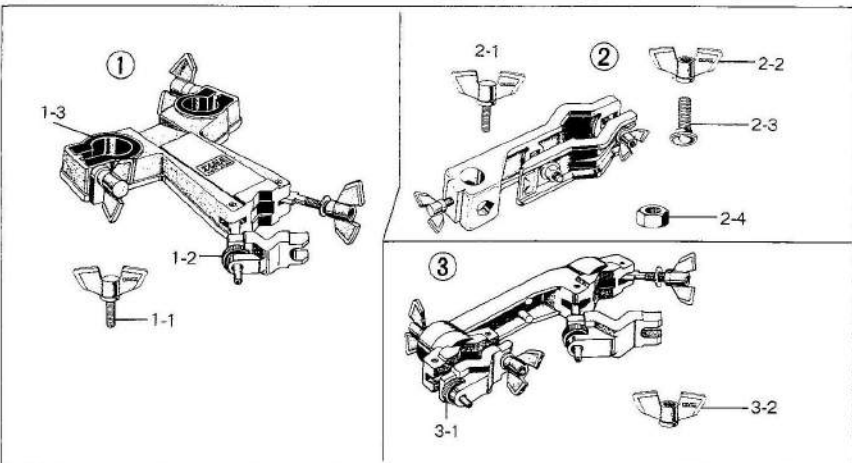
6672C OMNI-SPHERE TOM HOLDER

- ① 6684 Bass drum mount casting assembly
 - 1-1 TTS820 Thumb screw
 - 1-2 7079A Metal non-scratch plate
- ② 6672A Omni-sphere tom holder w/ key lock
 - 2-1 6698 Key lock clamp w/screw (28.6 m/m)
 - 2-2 6264 Omni-sphere rod w/6695 clamp
 - 2-3 B845-WTN8 Bolt & nut assembly
- ③ 6666 Tom tom mounting bracket only
 - 3-1 TTS820 Thumb screw
 - 3-2 6695 Key lock clamp w/screw (10.5 m/m)



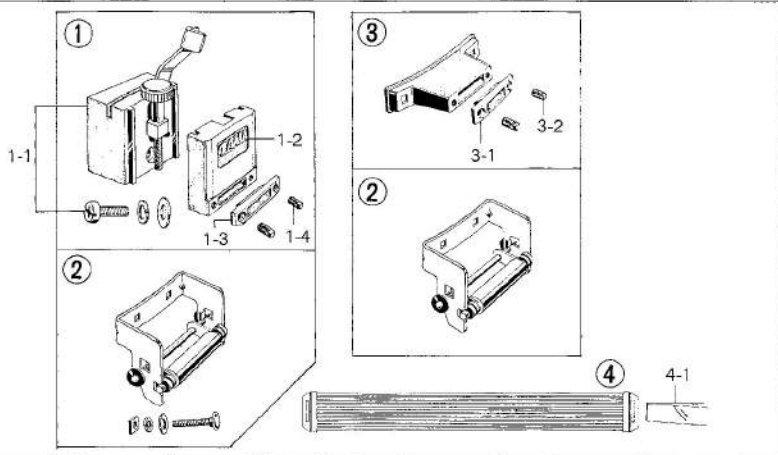
6691C SINGLE TOM HOLDER

- ① 6684 Bass drum mount casting assembly
 - 1-1 TTS820 Thumb screw
 - 1-2 7079A Metal non-scratch plate
- ② 6691A Omni-sphere tom holder
 - 2-1 6698 Key lock clamp w/screw (28.6 m/m)
 - 2-2 6265 Omni-sphere rod w/6696 clamp
 - 2-3 B845-WTN8 Eye bolt assembly
- ③ 6686 Tom tom mounting bracket only
 - 3-1 EB8-WTN8 Eye-bolt assembly
 - 3-2 6696 Key lock w/screw (10.5 m/m)



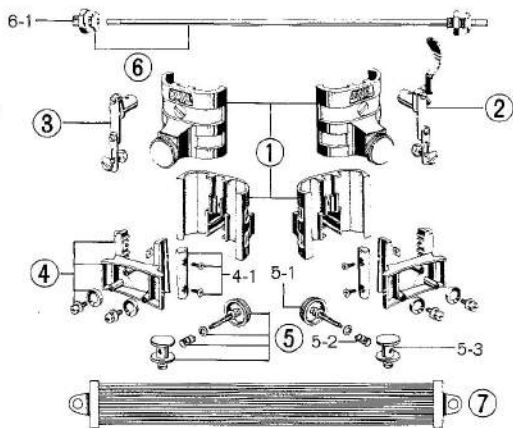
MULTI CLAMP

- ① 693 Triple holder
 - 1-1 TTS820 Thumb screw
 - 1-2 RN20 Round nut
 - 1-3 PB191 Plastic bushing w/pin (19.1 m/m)
- ② 6 Multi clamp
 - 2-1 TTS820 Thumb screw
 - 2-2 WTN8 Wing nut
 - 2-3 B845 Bolt
 - 2-4 NT8 Hex nut
- ③ 66 All purpose clamp
 - 3-1 RN20 Round nut
 - 3-2 WTN8 Wing nut



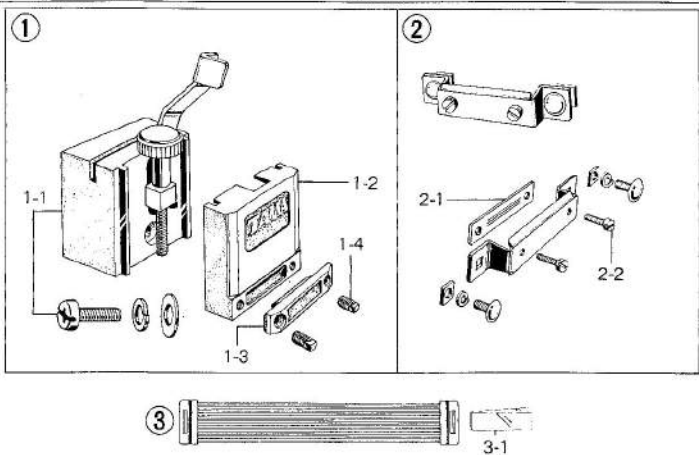
MASTERCRAFT STRAINER & BUTT

- ① 6302 Die-cast snare strainer complete
- 1-1 6302-01 Strainer frame w'tension knob
- 1-2 6302-02 Cover slide only
- 1-3 6302-03 Butt plate only
- 1-4 6302-04 Screw for butt plate
- ② 6338 RB Roller bed, complete
- ③ 6303 Die-cast snare butt, complete
- 3-1 6302-03 Butt plate only
- 3-2 6302-04 Screw for butt plate
- ④ 6035 Snappy snare for Mastercraft
- 4-1 6022 Plastic strap



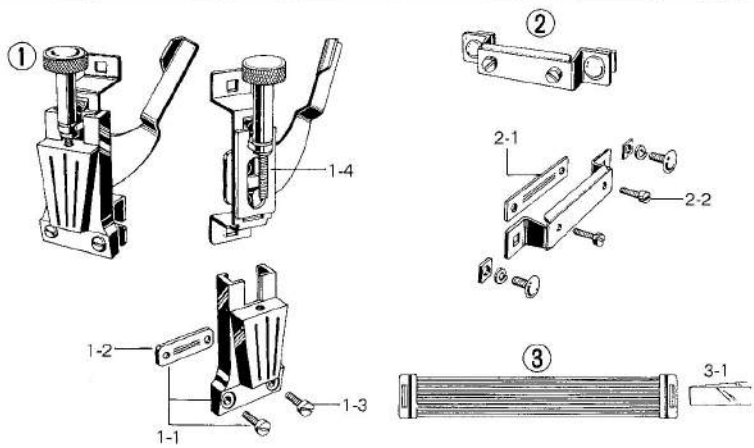
KING-BEAT SNARE STRAINER & BUTT

- ① 6301-1 Die-cast plate w/tension knob
- ② 6301-2 Release arm assembly
- ③ 6301-3 Butt side assembly
- ④ 6301-4 Strainer base assembly
- 4-1 6301-41 Plastic slide w/bolt & nut
- ⑤ 6301-5 Tension adjustment assembly
- 5-1 6301-51 Tension knob
- 5-2 6301-52 Tension spring
- 5-3 6301-53 Snappy snare holder
- ⑥ 6301-6 Center release rod assembly
- 6-1 6301-61 Plastic bolt & nut assembly
- ⑦ 6025 Snappy snare



POWERLINE SNARE STRAINER & BUTT

- ① 6302 Die-cast snare strainer, complete
- 1-1 6302-01 Strainer frame w/tension knob
- 1-2 6302-02 Cover slide only
- 1-3 6302-03 Butt plate only
- 1-4 6302-04 Screw for butt plate
- ② 6339 Metal butt, complete
- 2-1 6339-01 Butt plate only
- 2-2 6339-02 Screw for butt plate
- ③ 6020 Snappy snare
- 3-1 6022 Plastic strap

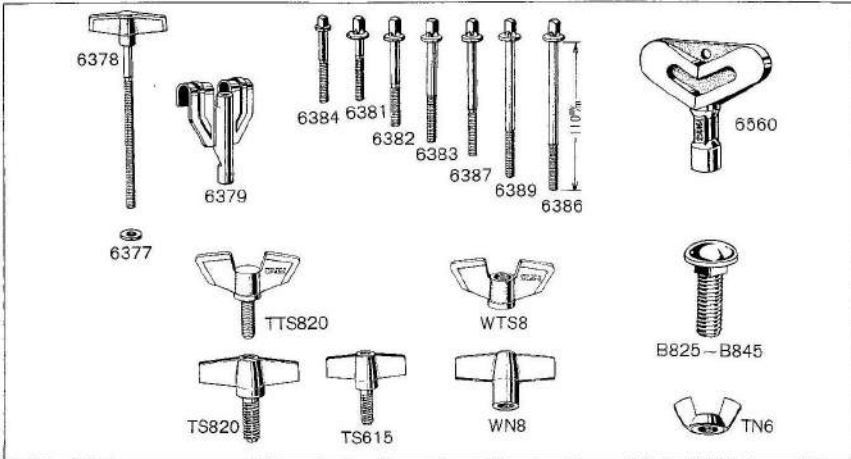


UPRIGHT SNARE STRAINER & BUTT

- ① 6340 Snare strainer, complete
- 1-1 6340-1 Slide cover
- 1-2 6340-2 Strap hold plate
- 1-3 6340-3 Strap hold screw
- 1-4 6340-4 Inside of snare strainer
- ② 6339 Metal butt, complete
- 2-1 6339-01 Butt plate only
- 2-2 6339-02 Screw for butt plate
- ③ 6020 Snappy snare
- 3-1 6022 Plastic strap

RODS, HOOKS, KEY & WING NUTS

6377	Metal washer
6378	"T" Handle rod only
6379	Claw hook only
6381	Bolt for snare & tom (48 m/m)
6382	Bolt for floor tom (66 m/m)
6383	Bolt for sooh bass (86 m/m)
6384	Bolt for bongo (61 m/m)
6386	Bolt for bass drum (110 m/m)
6387	Bolt for Artstar tom (76 m/m)
6389	Bolt for Artstar 20" floor tom (100 m/m)
6560	Drum key
TS820	T-Thumb screw bolt (M8 x 20)
TS615	T-Thumb screw bolt (M6 x 15)
WN8	T-Thumb nut (M8)
TTS820	W-Thumb screw bolt (M8 x 20)
TTS816	W-Thumb screw bolt (M8 x 16)
WTN8	W-Thumb nut (M8)
B825	Bolt (M8 x 25)
B835	Bolt (M8 x 35)
B840	Bolt (M8 x 40)
B845	Bolt (M8 x 45)
TN6	Nut



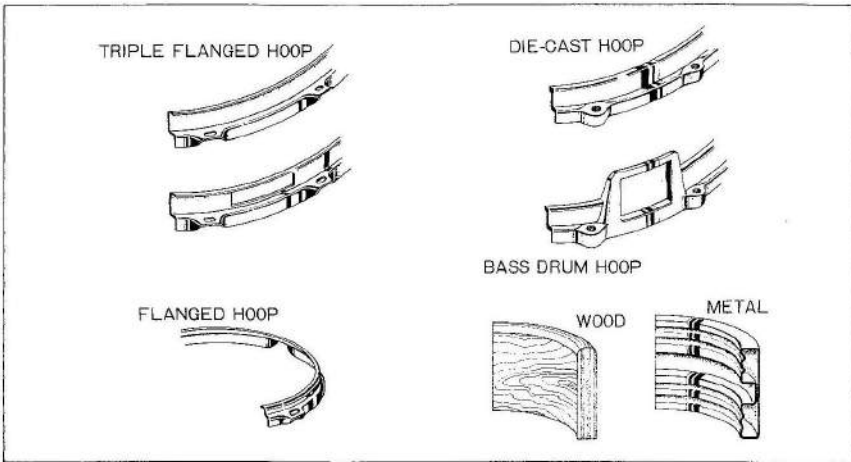
HOOPS

Triple flanged hoops		
6004-6	6" batter,	4 rod
6004-8	8" batter,	4 rod
6006-10	10" batter,	6 rod
6006-12	12" batter,	6 rod
6006-13	13" batter,	6 rod
6006-14	14" batter,	6 rod
6008-14	14" batter,	8 rod
6008-15	15" batter,	8 rod
6008-16	16" batter,	8 rod
6008-18	18" batter,	8 rod
6008-20	20" batter,	8 rod
6010-14	14" batter,	10 rod
6008-14S	14" snare,	8 rod
6010-14S	14" snare,	10 rod

Flanged hoops		
6014-6	6" batter,	4 rod
6014-8	8" batter,	4 rod

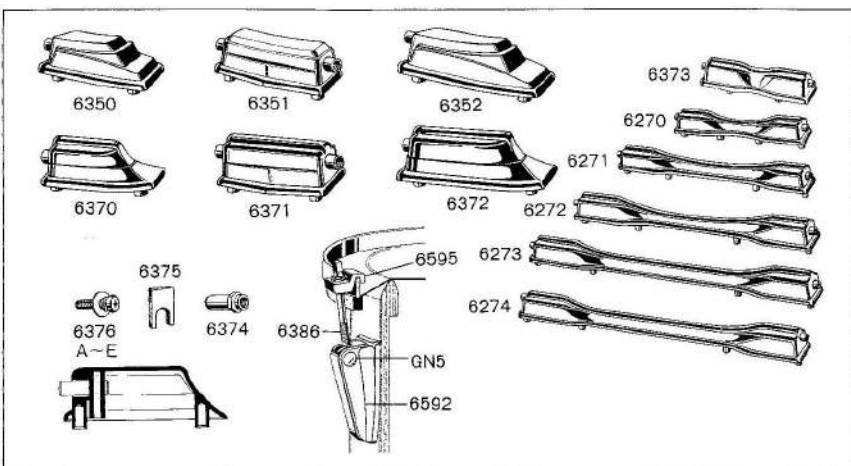
Die-cast hoops		
6001	14" batter,	10 rod
6002	14" snare,	10 rod

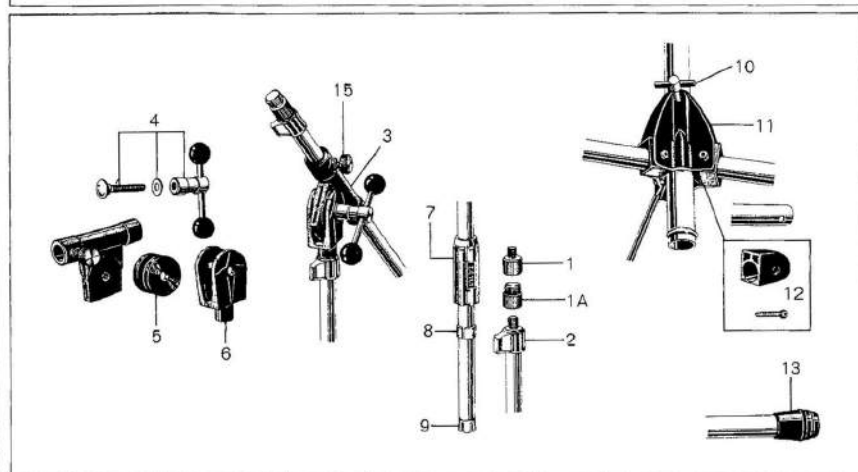
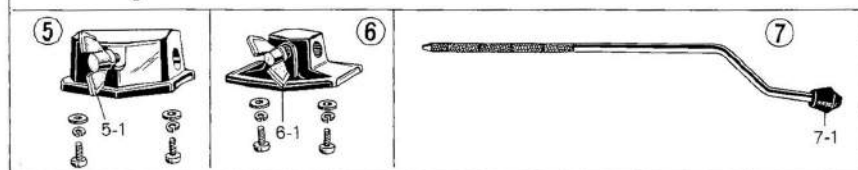
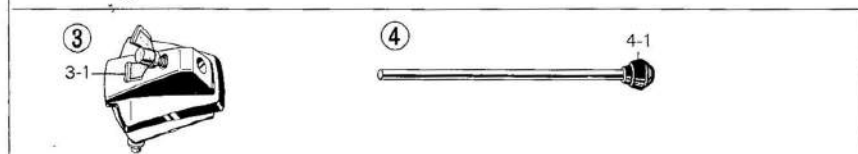
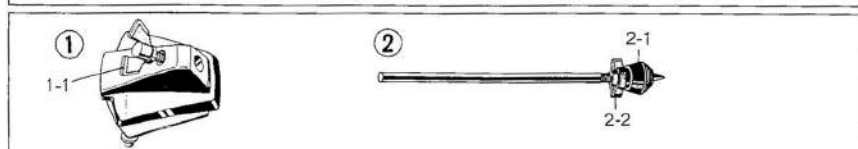
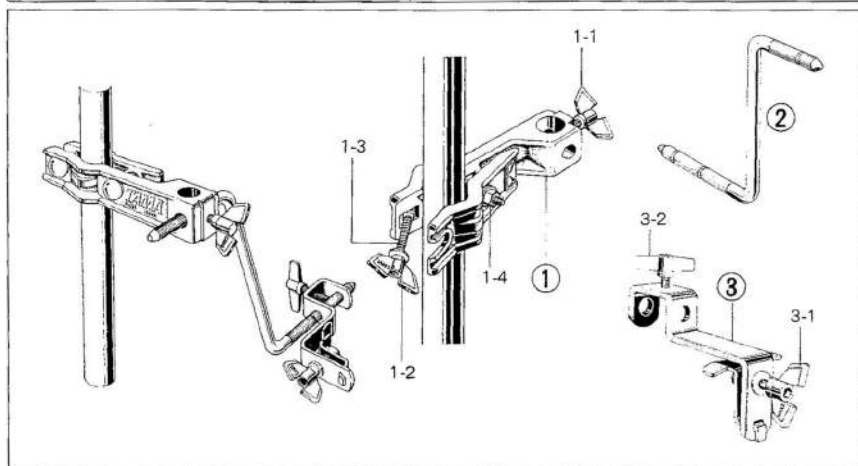
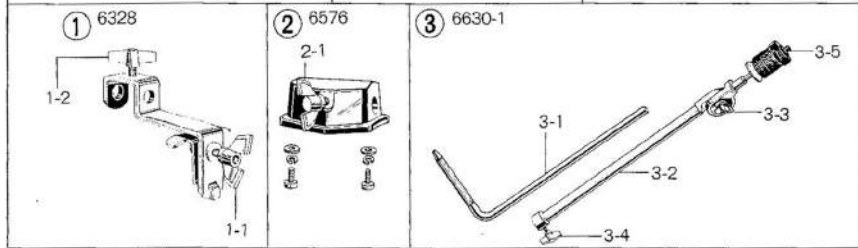
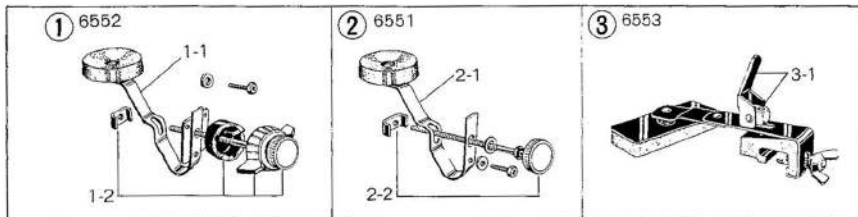
Bass drum hoops			
6048	18" metal	6052W	22" wood
6050	20" metal	6054W	24" wood
6052	22" metal	AS6052W	22" wood for Artstar
6054	24" metal	AS6054W	24" wood for Artstar
6056	26" metal	6602	Hoop for Gong Bass
6058	28" metal	RS6052W	22" wood for Royalstar
6048W	18" wood	RS6054W	24" wood for Royalstar
6050W	20" wood	6603	13" Timbale
		6604	14" Timbale



LUGS

6350	Lug w/nut & screws for tom tom & floor tom
6351	// // for snare drum
6352	// // for bass drum
6370	// // for tom tom & floor tom
6371	// // for snare drum
6372	// // for bass drum
6373	// // for 6-1/2" & 8" snare drum
6270	// // for Artstar tom
6271	// // for // //
6272	// // for // //
6273	// // for // //
6274	// // for // bass drum
6374	Lug nut
6375	Nylon lug nut stopper
6376A	Mounting screw (M4 x 8)
6376B	// // (M4 x 14)
6376C	// // (M5 x 8)
6376D	// // (M5 x 14)
6376E	// // (M5 x 16)
6595	Hook for Gong Bass
6386	Bolt for Gong Bass
6592	Lug for Gong Bass
GN5	Round nut





TONE CONTROLS

- ① 6552 One-touch tone control
 - 1-1 6552-1 Control damper
 - 1-2 6552-2 Control knob w/plastic parts and nut
- ② 6551 Tone control
 - 2-1 6551-1 Tone control damper
 - 2-2 6551-2 Control knob w/nut
- ③ 6553 External tone control
 - 3-1 6553-1 Lever unit

CYMBAL HOLDER

- ① 6328 Hoop mount holder
 - 1-1 WTN8 Wing nut
 - 1-2 TS615 Thumb screw
- ② 6576 Mounting bracket w/screws
 - 2-1 TTS820 Thumb screw
- ③ 6630-1 Cymbal holder only
 - 3-1 6630-01 "L" shape rod
 - 3-2 6630-02 Upper tube w/tilter
 - 3-3 B825-WTN8 Bolt & nut assembly
 - 3-4 TS615 Wing screw
 - 3-5 7082 Cymbal mate

6323 HI-HAT HOLDER

- ① 6 Multi clamp
 - 1-1 TTS820 Wing screw
 - 1-2 WTN8 Wing nut
 - 1-3 B845 Bolt
 - 1-4 NT8 Hex nut
- ② 6323-1 Z rod
- ③ 6328 Hoop mount holder
 - 3-1 WTN8 Wing nut
 - 3-2 TS615 Thumb screw

BASS DRUM SPUR & FLOOR TOM LEG

- ① 6566-1 Mounting bracket w/screws
 - 1-1 TTS820 Thumb screw
- ② 6566-2 Super w/nut & rubber tip
 - 2-1 6566RT Rubber tip only
 - 2-2 6566-22 Metal lock nut
- ③ 6566-1 Mounting bracket w/screws
 - 3-1 TTS820 Thumb screw
- ④ 6564-2 Spur w/rubber tip
 - 4-1 6564RT Rubber tip only
- ⑤ 6576 Mounting bracket w/screws
 - 5-1 TTS820 Thumb screw
- ⑥ 6666 Mounting bracket w/screws
 - 6-1 TTS820 Thumb screw
- ⑦ 6573 Floor tom tom leg
 - 7-1 6573RT Rubber tip

MICROPHONE STAND

- 1 105-01 Adapter $\frac{5}{8}$ "
- 1A 105-01A Adapter $\frac{3}{8}$ "
- 2 105-02 Lock nut
- 3 105-03 Boom holder
- 4 105-04 Angle adjust handle
- 5 105-05 Washer
- 6 105-06 U-holder
- 7 105-07A Height adjust grip (23 m/m)
- 105-07B Height adjust grip (19 m/m)
- 8 105-08A Nylon bushing (23 m/m)
- 105-08B Nylon bushing (19 m/m)
- 9 105-09A Bush (19 m/m)
- 105-09B Bush (15 m/m)
- 105-09C Bush (12 m/m)
- 10 105-10 T-bolt
- 11 105-11 Base
- 12 105-12 Bush w/pin
- 13 105-13 Rubber tip



TAMA
The Strongest Name In Drums

TAMA drums are sold and serviced by